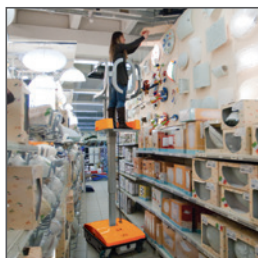


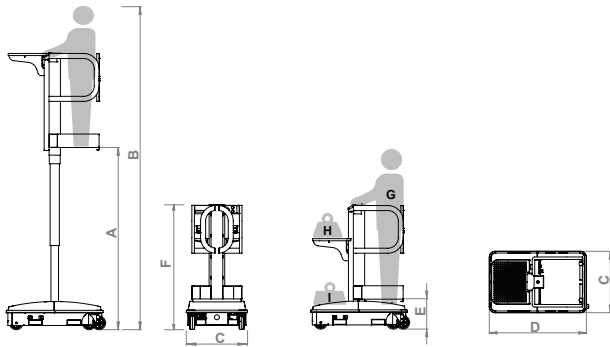
Spin-Go

Spin-Go push-around vertical platform is the valid alternative to ladders and podiums normally used in shops, supermarkets, warehouses, malls, offices, libraries and archives.

Easy and extremely Compact Spin-Go provides a safer and more efficient method of reaching highly positioned goods and merchandise, during stock replenishment, fit out, cleaning operations and much more. This versatile machine makes it possible to take the most advantages of their space, granting an effective space organisation and consequently an increased assortment of articles immediately at hand.



TOYOTA
MATERIAL HANDLING



The unit will automatically brake when stationary, as the wheel brake is always on.

When the operator needs to move the unit, he simply press a trigger style switch positioned on the platform's rail to release the brake while pushing the unit into the new working place.



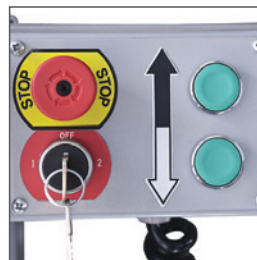
Very light overall weight of the unit **ONLY 280 Kg** makes it easy and comfortable to be pushed around and able to be used on every floor, even mezzanine floor.



Adjustable **CARGO SHELF**! - easily regulated while on board the machine – maximise operator's comfort!



Once on board just press a button to reach in a few seconds the desired working height up to 4,17mt.

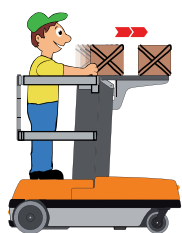


Operator's platform with easy and safe access achieved by:

- Easy entrance with dual swing gates
- Step height only 36cm
- No obstacles at the entry point



MEASUREMENTS		
Max. platform height	A	2168 mm
Max working height	B	4168 mm
Width	C	730 mm
Length	D	1155 mm
Entry height	E	363 mm
Height stowed	F	1480 mm
Operator bay capacity	G	130 kg
Materials tray capacity	H	90 kg
Transport hood tray capacity	I	90 kg
Rated number of occupants		1 Person
Unit total weight		280 kg
Battery		N. 01 12V 85Ah@20h



Loading platform at maximum height corresponds to the mast. It is very easy to place even heavy packs, using the column as the setting base and letting it slide up to the material tray.

